

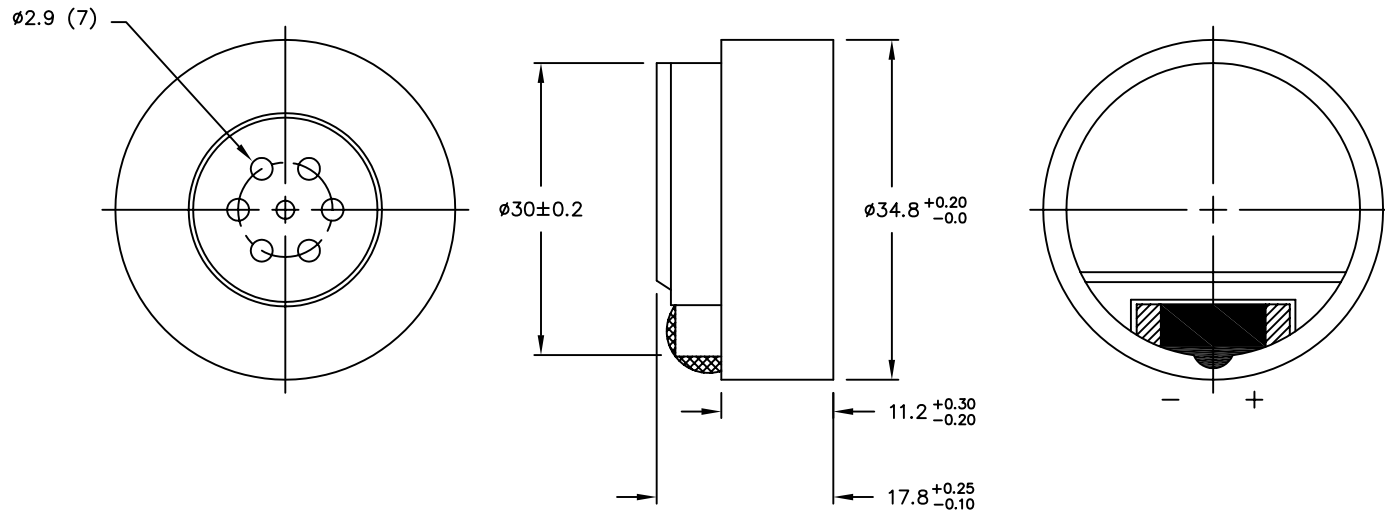
THIS DOCUMENT CONTAINS DATA PROPRIETARY TO PROJECTS UNLIMITED, INC. ANY USE OR REPRODUCTION, IN ANY FORM, WITHOUT PRIOR WRITTEN PERMISSION OF PROJECTS UNLIMITED, INC. IS PROHIBITED.  
© 2005, Projects Unlimited Inc.

### SPECIFICATIONS

PARAMETERS	VALUES	UNITS
RATED INPUT POWER	0.01	W
MAX INPUT POWER	0.02	W
IMPEDANCE	160±20%	OHM
OUTPUT SPL @ 0.01W/1CM (AT 1.0 kHz)	98±2	dBA
DISTORTION (MAX.)	5%	-
RESONANT FREQUENCY	300±15%	Hz
FREQUENCY RANGE	200 ~ 3400	Hz
HOUSING MATERIAL	ABS	-
CONE MATERIAL	MYLAR	-
MAGNET MATERIAL	Nd-Fe-B	-
OPERATING TEMPERATURE	-20 ~ +60	°C
WEIGHT	30	grams

### REVISIONS

LTR	DESCRIPTION	DATE	APPROVED
-	RELEASED FROM ENGINEERING	1/26/06	



### NOTES:

1. ALL DIMENSIONS ARE IN MILLIMETERS.
2. SPECIFICATION SUBJECT TO CHANGE OR WITHDRAWAL WITHOUT NOTICE.
3. THIS PART IS RoHS 2002/95/EC COMPLIANT.

UNLESS OTHERWISE SPECIFIED:  
DIMENSIONS ARE IN  
MILLIMETERS, TOLERANCES ARE  $\pm 0.5$  AND  
ANGLES ARE  $\pm 3^\circ$ .



projects®  
unlimited

Dayton, Ohio

RECEIVER

APPROVALS	DATE
DRAWN <i>J.A.F.</i>	01/06
CHECKED <i>B.R.</i>	01/06
APPROVED <i>E.P.</i>	01/06

SIZE  
A

DRAWING NO.  
AR035160MR-R

FILE NAME  
AR035160MR-R.DWG

DO NOT SCALE DRAWING

SCALE: N.T.S.

SHEET 1 OF 1